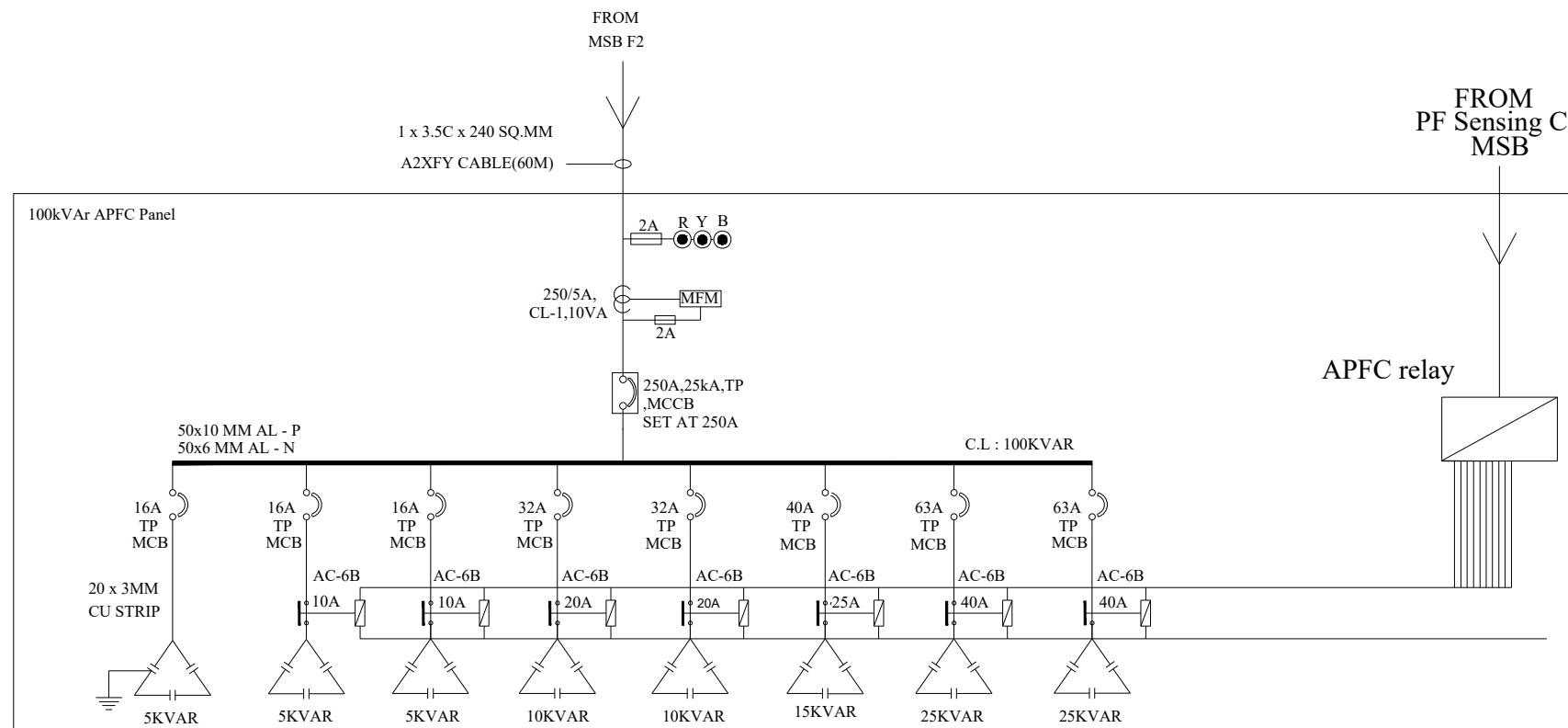


EQUIPMENT DES.	SSB	APFC PANEL(100kVAr)	SOLAR(60kW)	SPARE
CONNECTED LOAD (kW)				
MAXIMUM DEMAND (kW)				
SWITCHGEAR RATING (A)	Existing	320	Existing	
SIZE IN SQ.MM		240		
POWER NO. OF RUN/CORE		3.5C		
CABLE TYPE OF CABLE		A2XFY		
LENGTH (M)		60		
SIZE OF EARTH COND.CU		25 X3 MM		
LOCATION		ELECTRICAL ROOM		

FOR ELECTRICAL INSPECTORATE	FOR CONTRACTOR	FOR SUPERVISOR	FOR CLIENT	PROJECT <b>KERALA GRAMIN BANK</b> HEAD OFFICE MALAPPURAM
				TITLE ELECTRICAL-MASTER SINGLE LINE DIAGRAM (R)
				PROJECT NO. 01   DRAWN: SHINEJITH   CHECK: ANOOP   APPROVED: DEEPU
				DATE: 04.12.2024   DWG NO.01
				 <b>ANANTHAPURI CONSULTANTS</b> SERA 36, SECOND FLOOR, NEAR ADHYAPAKABHAVAN ROAD, STATUE, TRIVANDRUM -695001.



FEEDER NO.	1	2	3	4	5	6	7	8		
EQPT. NAME	Capacitor	Capacitor	Capacitor	Capacitor	Capacitor	Capacitor	Capacitor	Capacitor		
CONNECTED LOAD(KW/HP/KVAR)	5KVAR	5KVAR	5KVAR	10KVAR	10KVAR	15KVAR	25KVAR	25KVAR		
MAXIMUM DEMAND (KW)										
SWITCHGEAR RATING (A)	16A	16A	16A	32A	32A	40A	63A	63A	SPARE	SPARE
FUSE RATING (A)										
CABLE SIZE (SQ.MM)										
NO. OF RUN / CORE										
CAPACITOR DUTY CONTACTOR		AC-6b	AC-6b	AC-6b	AC-6b	AC-6b	AC-6b	AC-6b		
EARTH SIZE	10	10	10	10	10	10	10	10		

FOR ELECTRICAL INSPECTORATE

FOR CONTRACTOR

FOR SUPERVISOR

FOR CLIENT

PROJECT

KERALA GRAMIN BANK  
HEAD OFFICE  
MALAPPURAM

TITLE

Capacitor Panel

PROJECT NO. 01

DRAWN: SHINEJITH

CHECK: ANOOP

APPROVED: DEEPU

DATE: 04.12.2024

DWG NO.02



**ANANTHAPURI CONSULTANTS**  
SERA 36, SECOND FLOOR, NEAR  
ADHYAPAKABHAVAN ROAD,  
STATUE, TRIVANDRUM -695001.